

Building & Environmental Thermal Systems

2012-2013 LECTURE SERIES
AT OKLAHOMA STATE UNIVERSITY

Efficient Operation of Building HVAC Systems via Extremum Seeking Control



Speaker,

Yaoyu Li Ph.D.,

Associate Professor,

*Department of Mechanical Engineering,
University of Texas at Dallas*

OCTOBER

26

SPEAKER SESSION

10:00 A.M.

ATRC 102

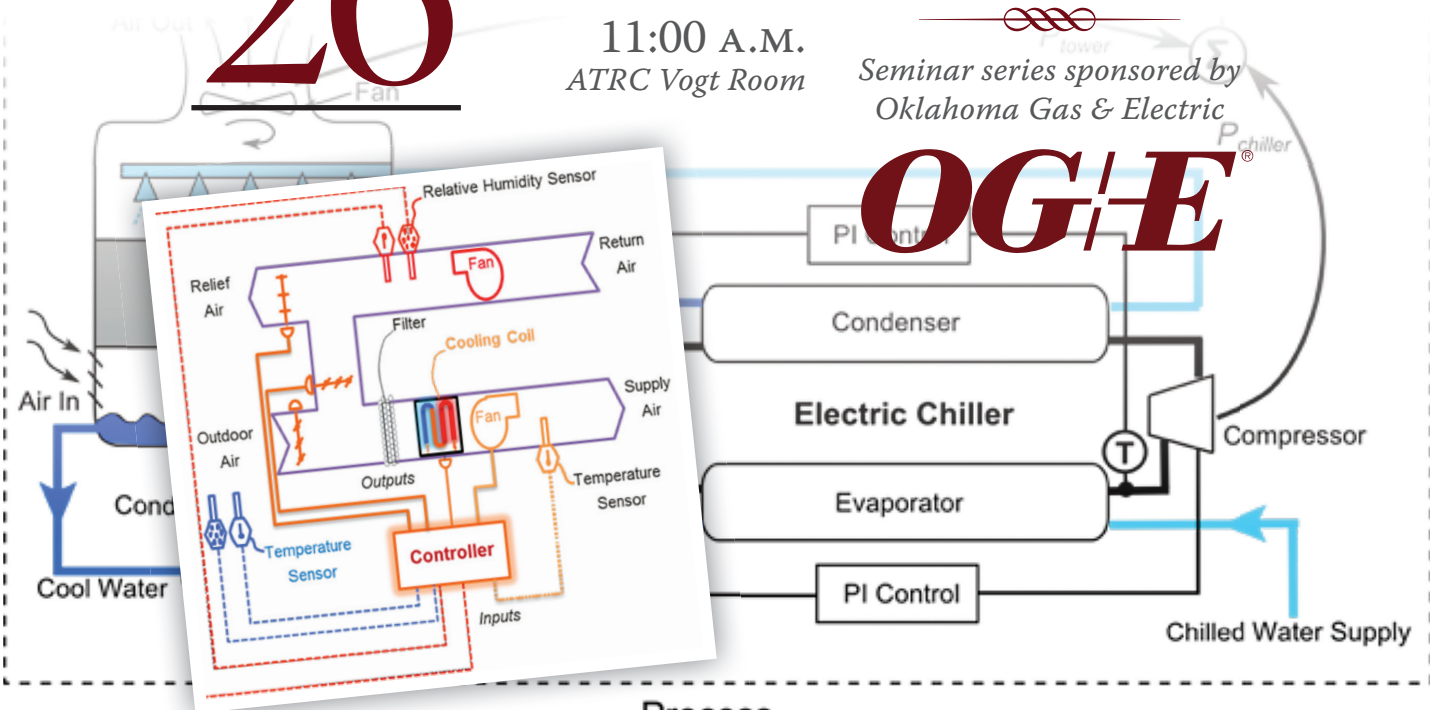
LUNCH RECEPTION

11:00 A.M.

ATRC Vogt Room

Seminar series sponsored by
Oklahoma Gas & Electric

OG&E



Process